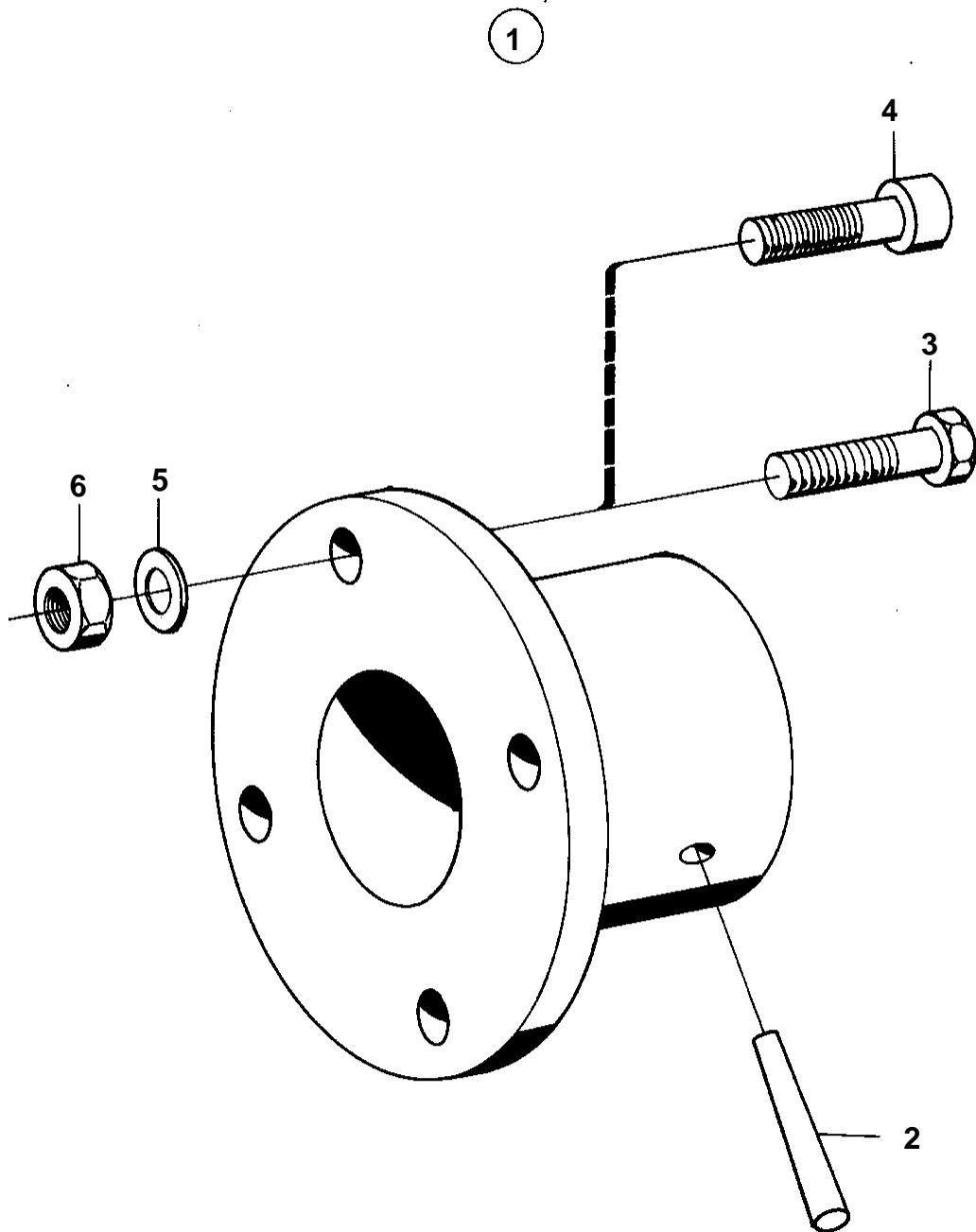


MD2010B, MD2020B, MD2030B, MD2040B



3232

MD2010B, MD2020B, MD2030B, MD2040B

REF	PART NO.	QTY	DESCRIPTION	NOTES
1	806383	1	Flange	Only center drilled 15mm. max 30mm shaft.
2	907599	1	• Pin	
3	970949	4	• Screw	L=35mm (955319)
4	959239	4	• Screw	L=30mm
5	941908	4	• Spring washer	
6	955783	4	• Nut	